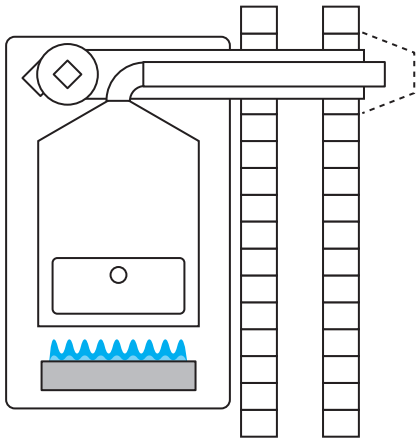
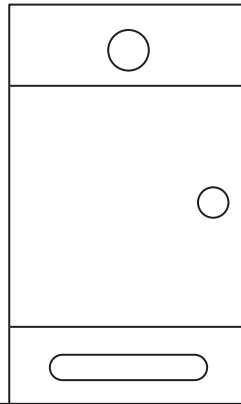


Wall hung boiler



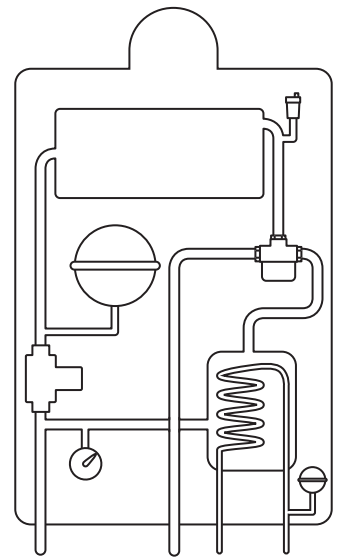
- G** Pre 1998, open or balanced flue
SEDBUK rating - High G
- F** Pre 1998 fan assisted,
copper heat exchanger
SEDBUK rating - F
- G** Pre 1998 fan assisted,
cast iron heat exchanger
SEDBUK rating - High G
- F** Post 1998, Pre 2002 Auto ignition,
SEDBUK rating - F
- G** Post 1998, Pre 2002 Pilot ignition,
SEDBUK rating - High G
- D** Post 2002
SEDBUK rating - D

Floor standing boiler



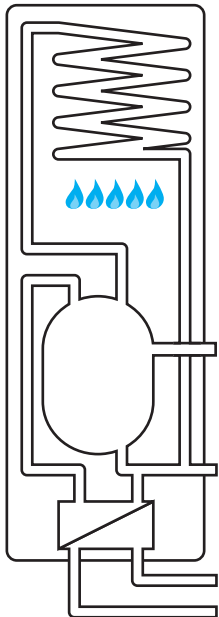
- G** Pre 1979
SEDBUK rating - Low G
- G** Pre 1978, Pre 1998
SEDBUK rating - High G
- F** Post 1998, Pre 2002 Auto ignition,
SEDBUK rating - F
- G** Post 1998, Pre 2002 Pilot ignition,
SEDBUK rating - High G
- D** Post 2002
SEDBUK rating - D

Wall hung combination boiler



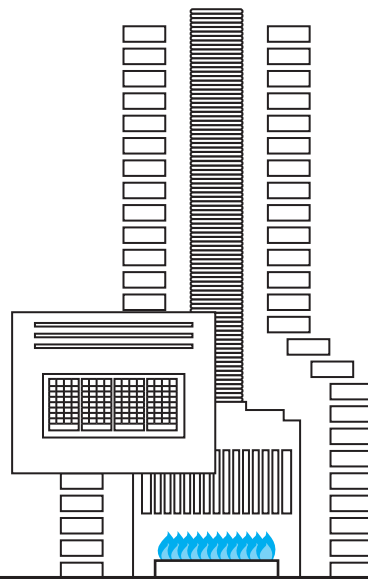
- G** Pre 1998, open, fanned or
balanced flue
SEDBUK rating - High G
- F** Post 1998, Pre 2002
SEDBUK rating - F
- D** Post 2002
SEDBUK rating - D

Combined primary storage unit



- G** Pre 1998, pilot ignition
SEDBUK rating - High G
- E** Post 1998, auto ignition
SEDBUK rating - E
- D** Post 2002
SEDBUK rating - D

Back boiler unit and fire



- G** Pre 2002
SEDBUK rating - High G
- E** Post 2002
SEDBUK rating - E



New energy efficiency advice for home heating systems

Over 50% of the total energy consumption and CO₂ emissions for a home come from heating and hot water use. Making people aware of the energy efficiency of their homes, and in particular their heating and hot water systems, is an essential part of the energy performance of buildings programme – designed to help the UK reduce its CO₂ emissions from buildings.

The Government are launching home heating checklists to enable homeowners to get information about the energy efficiency of their heating and hot water systems. The checklist is designed to be completed by a heating engineer and given to a homeowner during a service or maintenance visit. It gives the homeowner a basic assessment of the efficiency of their heating and hot water systems, an indication of whether the system could be more energy efficient, and an idea of the typical savings.

The checklists have been developed in conjunction with key members of the heating and hot water industry. They have been designed to be simple, quick to complete and should be left with the customer. These now form part of the recommended good practice for heating engineers during a service or other maintenance visit.

On the reverse is a quick reference guide to help you rate the energy efficiency of the boiler. The information is based on the SEDBUK database. These checklists are not designed to replace EPCs, but will provide useful information to those customers who haven't yet had an EPC. By using the SEDBUK database, all information provided should be consistent.

The checklists have been developed in conjunction with British Gas, CORGI, OFTEC, HETAS, IDHEE, the Energy Saving Trust and the Heating and Hot Water Industry Council.

If you have any questions, please contact your Competent Persons scheme for more information.

British Gas. British Gas is a leading supplier of gas, electricity and home repair services to customers in Scotland, Wales and England.

CORGI. CORGI is the national watchdog for gas safety in the United Kingdom.

OFTEC. OFTEC is the Oil Firing Technical Association representing the oil heating and cooking industry throughout the UK and Republic of Ireland.

HETAS. HETAS is the official body recognised by government to approve solid fuel domestic heating appliances, fuels and services.

IDHEE. The Institute of Domestic Heating and Environmental Engineers is an independent non-profit making professional for domestic heating engineers, promoting energy efficient domestic central heating components and the installation of safe and efficient systems.

Energy Saving Trust (EST). The Energy Saving Trust is a non-profit organisation, funded both by government and the private sector, set up to address the damaging effects of climate change.

HHIC The Heating & Hotwater Industry Council is an independent organisation dedicated to providing installers, consumers, merchants, manufacturers, industry organisations and government with accurate and unbiased information on all heating and hot water matters.